



Electrical

Comparison of IEC & NEMA Schematic Diagrams

Technical Focus

General.

With the increasing emphasis on globalisation, many industries are now looking to all parts of the world to produce, market and sell their products. Electrical manufacturers are no exception. Since the electrical standards adopted by various nations may vary, the markings and symbols used to describe electrical control products can also vary. Whether it is a complex control system on a machine tool or a simple across-the-line motor starter, the need to recognise and understand these symbols becomes more important. It is possible that products from all parts of the world are being used in any one facility.

The purpose of this document is to provide a simple cross-reference of common schematic/wiring diagram symbols used throughout various parts of the world.

The following tables describe the device and show the symbol by area of usage.

Description	NEMA	IEC
Capacitor		
Capacitor Magnetic only		
Thermal-magnetic		
Coil		
Basic contacts Normally closed		
Normally open		
Time delay contacts Normally closed, timed closed		
Normally closed, timed open		
Normally open timed closed		
Normally open timed open		

Description	NEMA	IEC
Disconnect switch Non-fused		
Fused		
Fuse		
Earth (Ground)		
Induction motor Single phase		
Three phase		
Indicating lights Standard		
Push-to-test		
Meters		

Description	NEMA	IEC	Description	NEMA	IEC
Overload relays			Switches		
Thermal element			Float (N.C.)		
Magnetic element			Float (N.O.)		
Pushbuttons			Flow (N.C.)		
Illuminated			Flow (N.O.)		
Momentary (N.C.)			Foot (N.C.)		
Momentary (N.O.)			Foot (N.O.)		
Mushroom head (N.C.)			Limit (N.C.)		
Mushroom head (N.O.)			Limit (N.O.)		
Resistor					

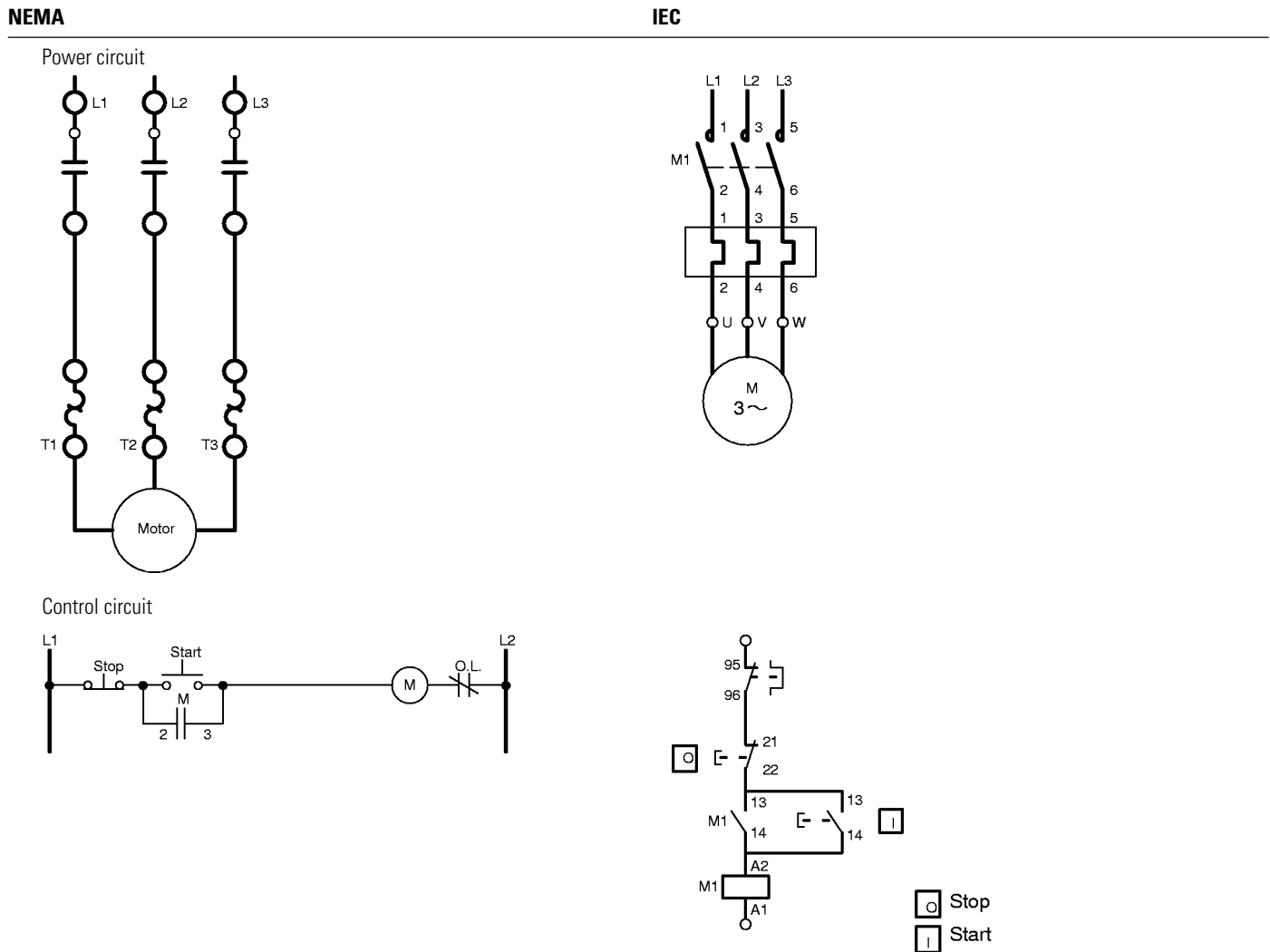
Description	NEMA	IEC															
Selector switch																	
2 position	<table border="1"> <thead> <tr> <th rowspan="2">Letter Sym</th> <th colspan="2">Position</th> </tr> <tr> <th>1</th> <th>2</th> </tr> </thead> <tbody> <tr> <td>A</td> <td>X</td> <td>X</td> </tr> <tr> <td>B</td> <td>X</td> <td></td> </tr> </tbody> </table>	Letter Sym	Position		1	2	A	X	X	B	X						
Letter Sym	Position																
	1	2															
A	X	X															
B	X																
3 position	<table border="1"> <thead> <tr> <th rowspan="2">Letter Sym</th> <th colspan="3">Position</th> </tr> <tr> <th>1</th> <th>2</th> <th>3</th> </tr> </thead> <tbody> <tr> <td>A</td> <td>X</td> <td></td> <td></td> </tr> <tr> <td>B</td> <td></td> <td></td> <td>X</td> </tr> </tbody> </table>	Letter Sym	Position			1	2	3	A	X			B			X	
Letter Sym	Position																
	1	2	3														
A	X																
B			X														

Description	NEMA	IEC
Switches Pressure (N.C.)		
Pressure (N.O.)		

Description	NEMA	IEC
Switches Temperature (N.C.)		
Temperature (N.O.)		

Description	NEMA	IEC
Transformer Current		
Voltage		

Common Schematic diagrams Across the line non-reversing starters with Start - Stop pushbuttons

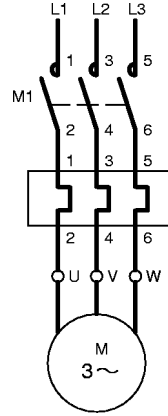
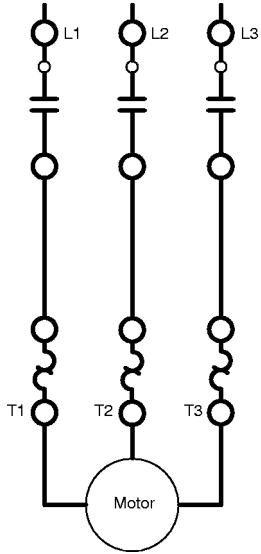


Common Schematic diagrams Across the line non-reversing starters with Hand - Off - Auto selector switch

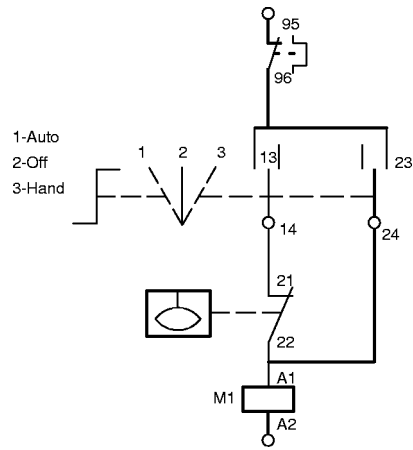
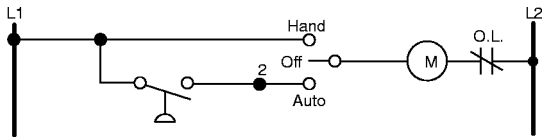
NEMA

IEC

Power circuit



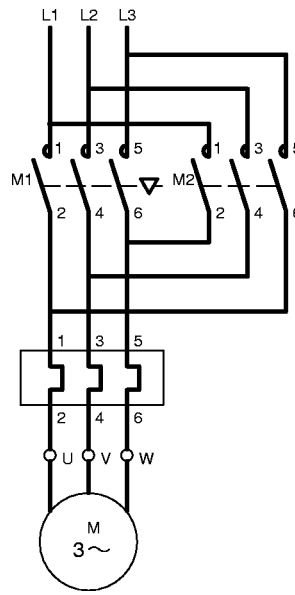
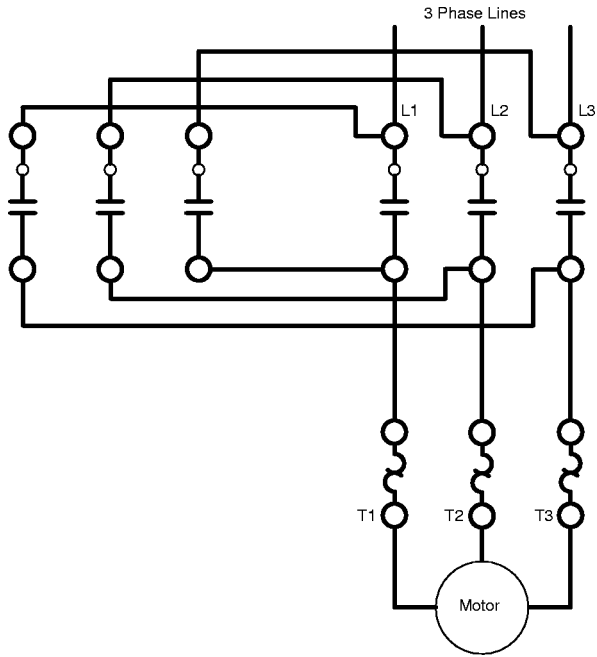
Control circuit



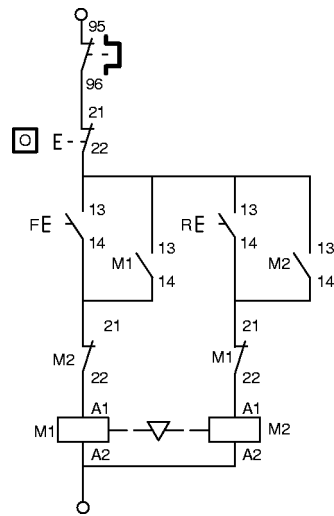
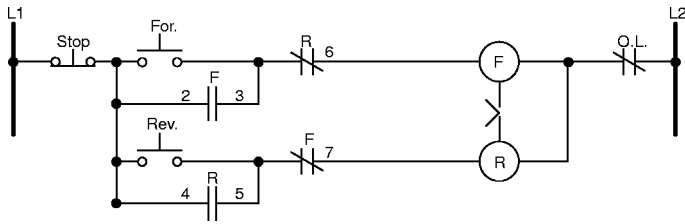
NEMA

IEC

Power circuit



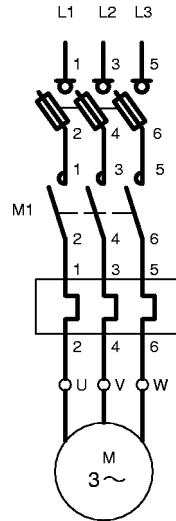
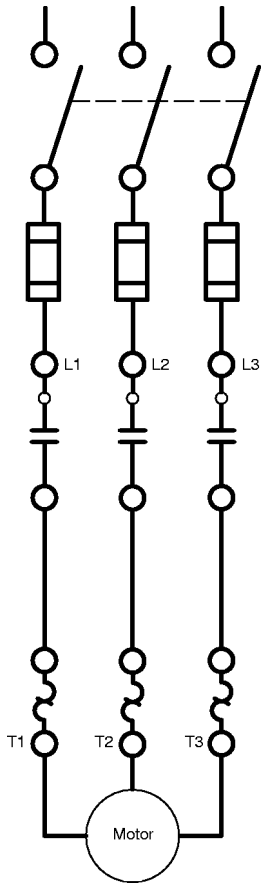
Control circuit



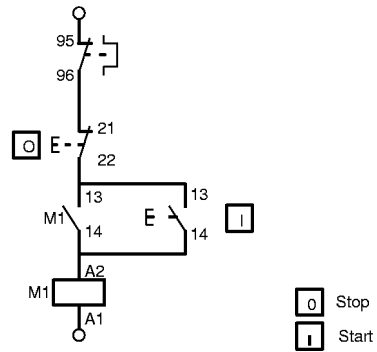
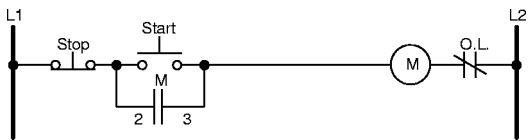
NEMA

IEC

Power circuit



Control circuit



Power circuit

